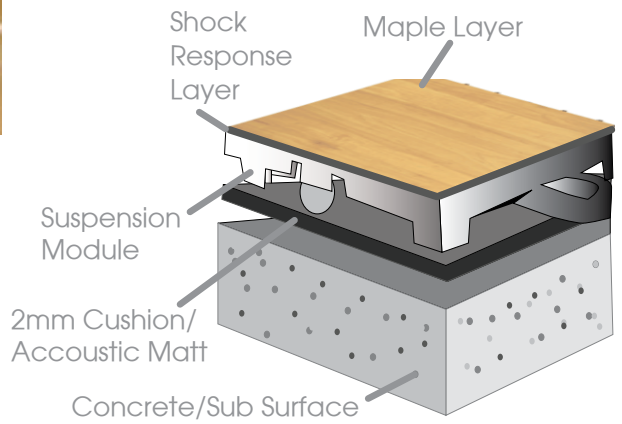




Natural Burgundy Green Royal Blue Alloy

colors may vary

xtremecourt lux colors



Key Benefits

- Authentic maple look
- High level basketball performance
- Excellent rolling load capacity
- No damage from moisture or humidity
- New or retrofit over most floors in 48-72 hours
- Durable for multi-use activities

Applications

Schools • Church Family Life Centers • Recreation Centers • Multi-Activity Centers • Sports Camp Facilities • Rehab Clinics • Hospitals & Military • Sports Training Facilities • Private Athletic Clubs • Basketball • Volleyball • Futsal • Team Handball • Raquetball & Squash • Badminton • Street Deck • Inline Hockey • Aerobics • Dance • Pilates • Yoga • Martial Arts Display Events • Home Gyms

System Layers and Specs

Synthetic Maple Solid Top Design (18"x18"x 5/8"), High Impact Copolymer Suspended Flooring 144 Individual Impact Zones, Weight 74oz (2122.81g)



Applications:

- Fitness Clubs
- Dance / Yoga
- Military
- Basketball
- Badminton
- Inline Hockey
- Rehab Clinics
- Hospitals

Powerful performance, reasonable price

The Xtremecourt high performance sports floors stands above all others. Many colors to choose from, quick installation, and easy maintenance make this floor the right choice for any court sport. Xtremecourt is made in the USA using American materials. Whether choosing Xtremecourt Indoor, Outdoor, or Lux, you can be assured you are purchasing a 100% American made product.



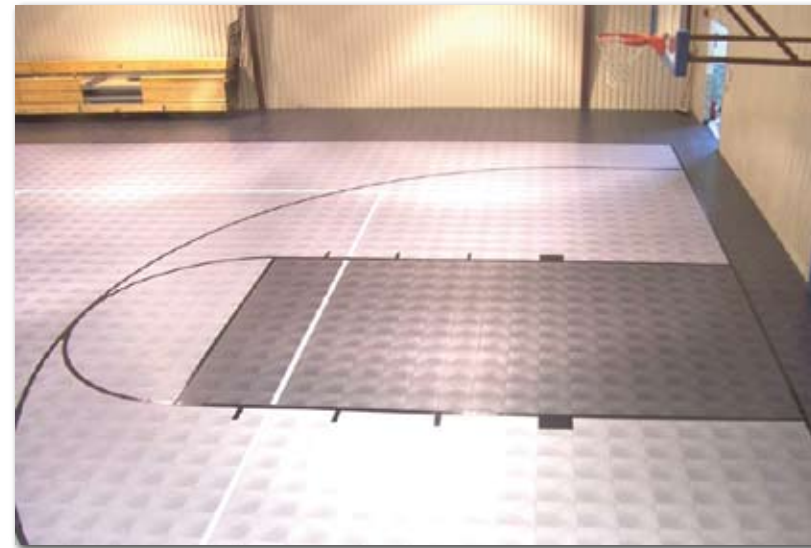
Learn about how to keep your floor like new at www.centaurmaintenancesupplies.com



135 Chapala Street
 Santa Barbara, CA 93101
 Phone (805) 957-0182
 Fax (805) 957-0125
 Toll-Free (800) 536-9007
www.centaurfloors.com



Xtremecourt indoor



Key Benefits

- Most economical flooring option
- Low initial investment
- Low annual maintenance costs
- Excellent rolling load capacity
- Durable for multi purpose use
- Vertical and lateral shock absorption
- Many colors for activity based design
- Free floating, no adhesives or anchoring
- New or retrofit over most floors in 48-72 hours
- Unaffected by moisture or humidity
- Minimal time/cost for repair
- Portable or permanent
- Custom logos, lining, and graphics
- 12 yr. Warranty

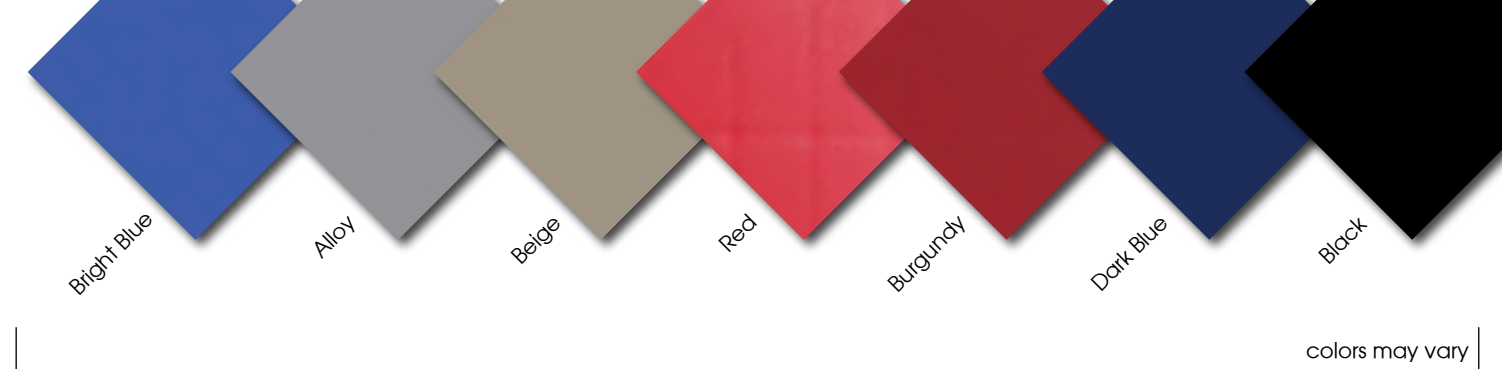
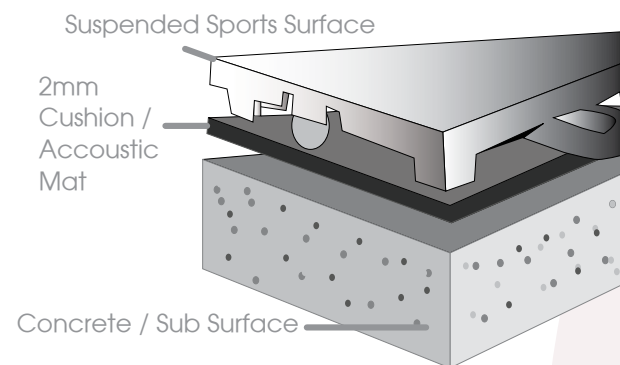
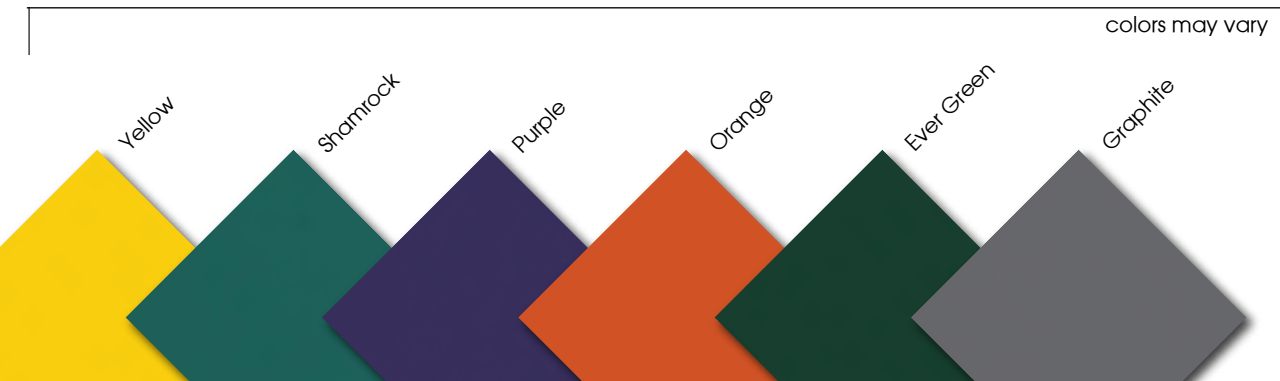
Applications

Schools • Church Family Life Centers • Recreation Centers • Multi-Activity Centers • Sports Camp Facilities • Rehab Clinics • Hospitals & Military • Sports Training Facilities • Private Athletic Clubs • Basketball • Volleyball • Futsal • Team Handball • Raquetball & Squash • Badminton • Street Deck • Inline Hockey • Aerobics • Dance • Pilates • Yoga • Martial Arts • Display Events • Home Gyms

System Layers and Specs

Solid Top Design (12"x12"x 5/8"), High Impact Copolymer Court Surfacing, 144 Individual Impact Zones, Weight 40oz (1133.98g)

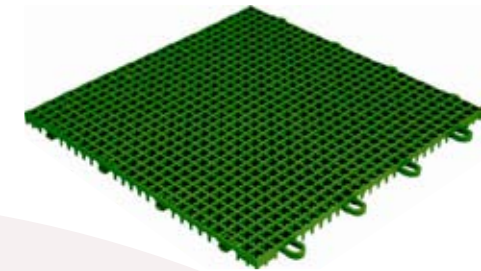
xtremecourt indoor colors



xtremecourt outdoor colors

colors may vary

Xtremecourt outdoor



Key Benefits

Superior all-weather traction • Seamless aesthetic engineered design • Many color options for personalizing school or facility colors • Medium speed tennis surface • Excellent ball, puck, and skate response for street, deck, and inline hockey • Immediate drainage during wet weather, no squeegee required • U.V. protection • Durable and impact stable for multi-sport use • Covers cracks, puddles, and stains • No adhesives or anchoring required • Low annual maintenance • Year round use • 12 year warranty

Applications

Schools • Church Family Life Centers • Multi-Activity Centers • Detention and Correctional Facilities • Rehab Clinics and Hospitals • Youth Centers • Military • Sports Training Facilities • Private Athletic Clubs • Basketball • Volleyball • Futsal • Team Handball • Raquetball & Squash • Badminton • Street, Deck, & Inline Hockey • Display • Events and Promotions

System Layers and Specs

Open Top Design (12" x 12" x 5/8"), High Impact Copolymer Suspended, Court Surfacing, 841 Individual Support Legs, Weight: 13oz (370.59g)

