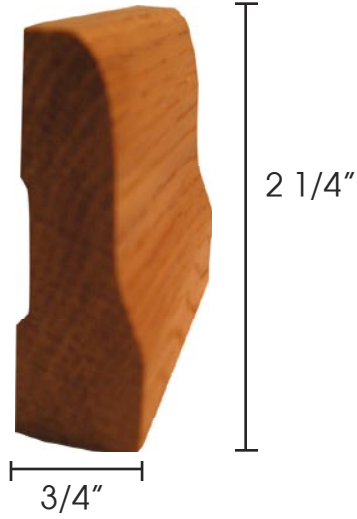
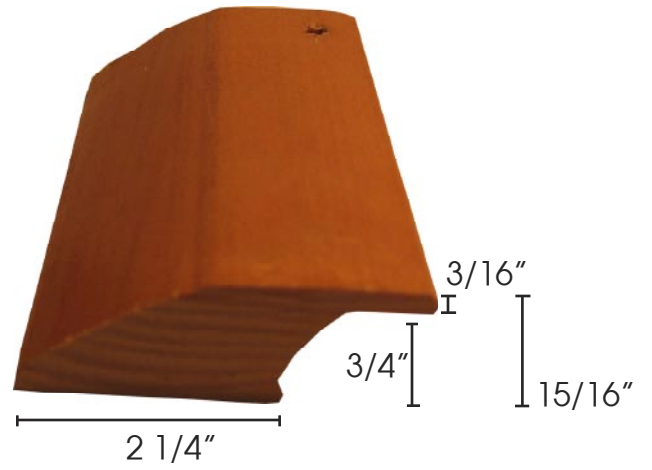


# transitions & moldings

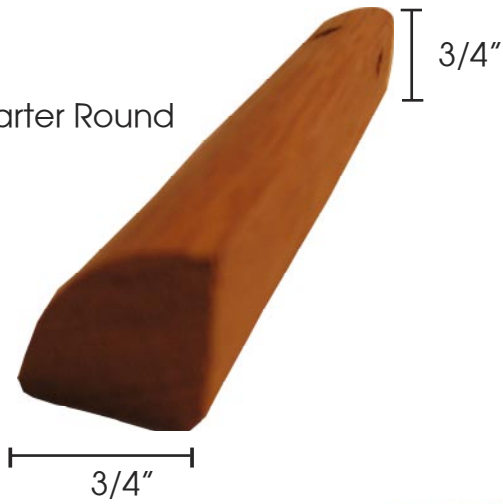
Base & Moldings



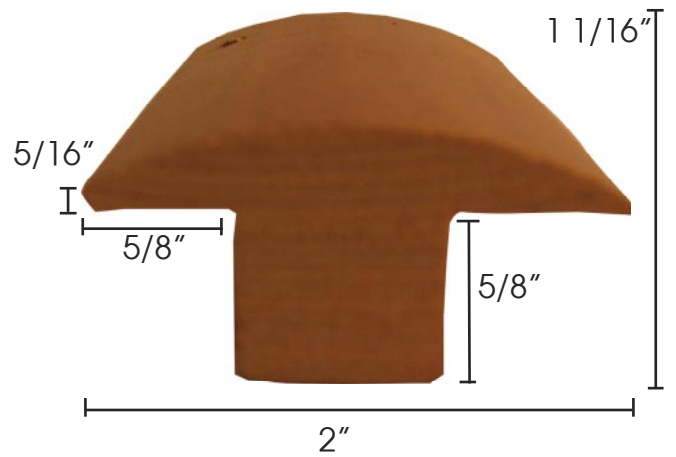
Overlap Reducer



Quarter Round



T-Molding



Vented Cove Base